

Technical Specifications

System Description

Frequency Response (+3dB, -10dB)

Horizontal Coverage (-6dB)

Vertical Coverage (-6dB)

LF

Driver

Frequency range

Axial Sensitivity (dB SPL, 1 Watt @ 1m)

Power Handling (continuous)

MAX SPL LF

(Continuous) with Preset Xover mode

(Peak) with Preset Xover mode

HF

Driver

Frequency range

Axial Sensitivity (dB SPL, 1 Watt @ 1m)

Power Handling (Continuous)

MAX SPL HF

(Continuous) with Preset Xover mode

(Peak) with Preset Xover mode

ENCLOSURE

Rigging Hardware

Vertical angles range between units

Dimensions

Gross Weight

Front Protection

Construction

Paint Finish

DB Sound LA122V

2 Way fullrange LINE ARRAY system

From 60 to 18,000Hz

100°

Depends on Number of Boxes

1 x 12" Custom Made Beyma® LF Driver

From 60 to 800Hz

96dB

1400 Watts

1 unit

2 units

127.5dB

133.5dB

133.5dB

139.5dB

1 x 1.4" Exit Custom Made Beyma® HF Driver

From 800 to 18,000Hz

112dB

140Watt

1 unit

2 units

133.5dB

138.3dB

139.5dB

144.3dB

Integrated steel

0° to 10° (1° degree increments)

33.2 x 54.9 x 62.2 cm

32 kg

Steel coated grill with special foam filter

Built in Baltic Birch plywood

Black fine textured Watertex (No toxic components)



dbsound
Pro Series

DB Sound Products LLC, Delaware, USA

For more details logon to www.dbsound-pro.com

Copyrights 2010 DB Sound Products LLC. All Rights Reserved



dbsound
Pro Series

LA122V

Light weight, Compact two way
line array modular speaker system

db sound

Pro Series

The LA122V is a Active, Light weight, Compact two way line array modular speaker system designed for use in arrays upto 8 units. This system is made of single 12 Inch low frequency high power custom made woofer and 1.4 Inch high frequency driver made by Acustica Beyma®. LA122V has a wide coverage in horizontal (100°) direction and vertical coverage depends upon the number of units rigged together. This system can deliver a high power of 1400W(AES) program power and reproduces superior sound and optimized dispersion pattern. Built with Baltic Birch plywood and finished with High quality textured paint with Watertex® (No Toxic Components).

Features:

- 2 Way Compact Line Array Module
- Powered by World Class Beyma® Loudspeakers
- High Power (Continuous) – 1400W(AES)
- Very High SPL (Peak) – 144dB
- Riggings made of F1 Grade Steel
- High quality texture painted with Watertex®
- Very Light Weight

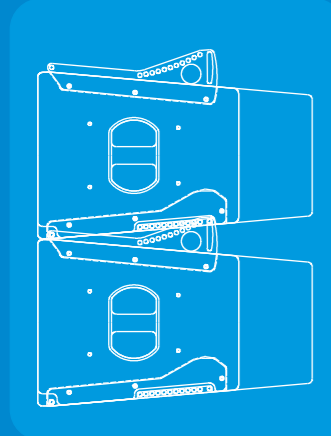
Applications

- Arenas
- Clubs / Pubs
- Corporate A/V's
- Cruise Ships
- Dance Floors
- Live Tours
- Music Playback
- Permanent Installs
- Sound Reinforcement
- Stadiums

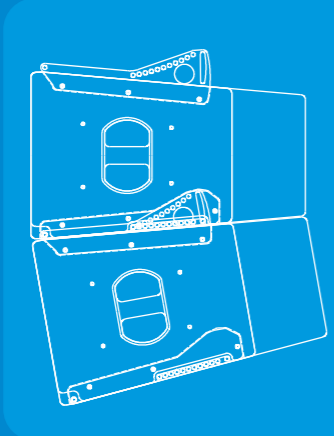
LA122V Array Configurations

DB Sound recommends a maximum of eight LA122V module rigged together with the given bumper with the recommended amplification. This module can be array able from 0° to 10°.

Array 0°

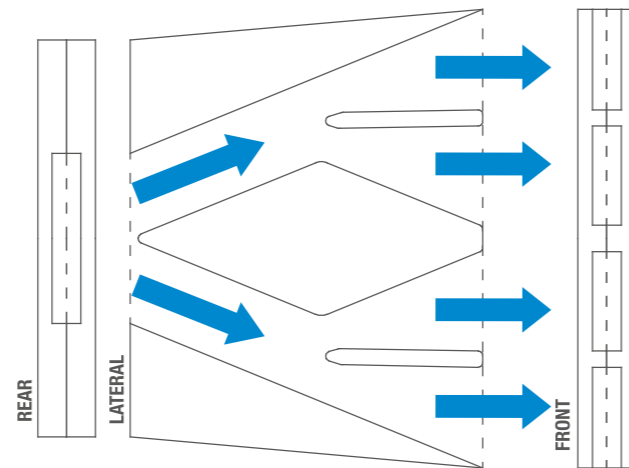


Array 10°



Wave Guide:

DB Sound designed a new waveguide made of Baltic Birch Plywood coupled with a die cast aluminium adapter which can reproduce high Quality sound and optimal responses for High Frequencies.



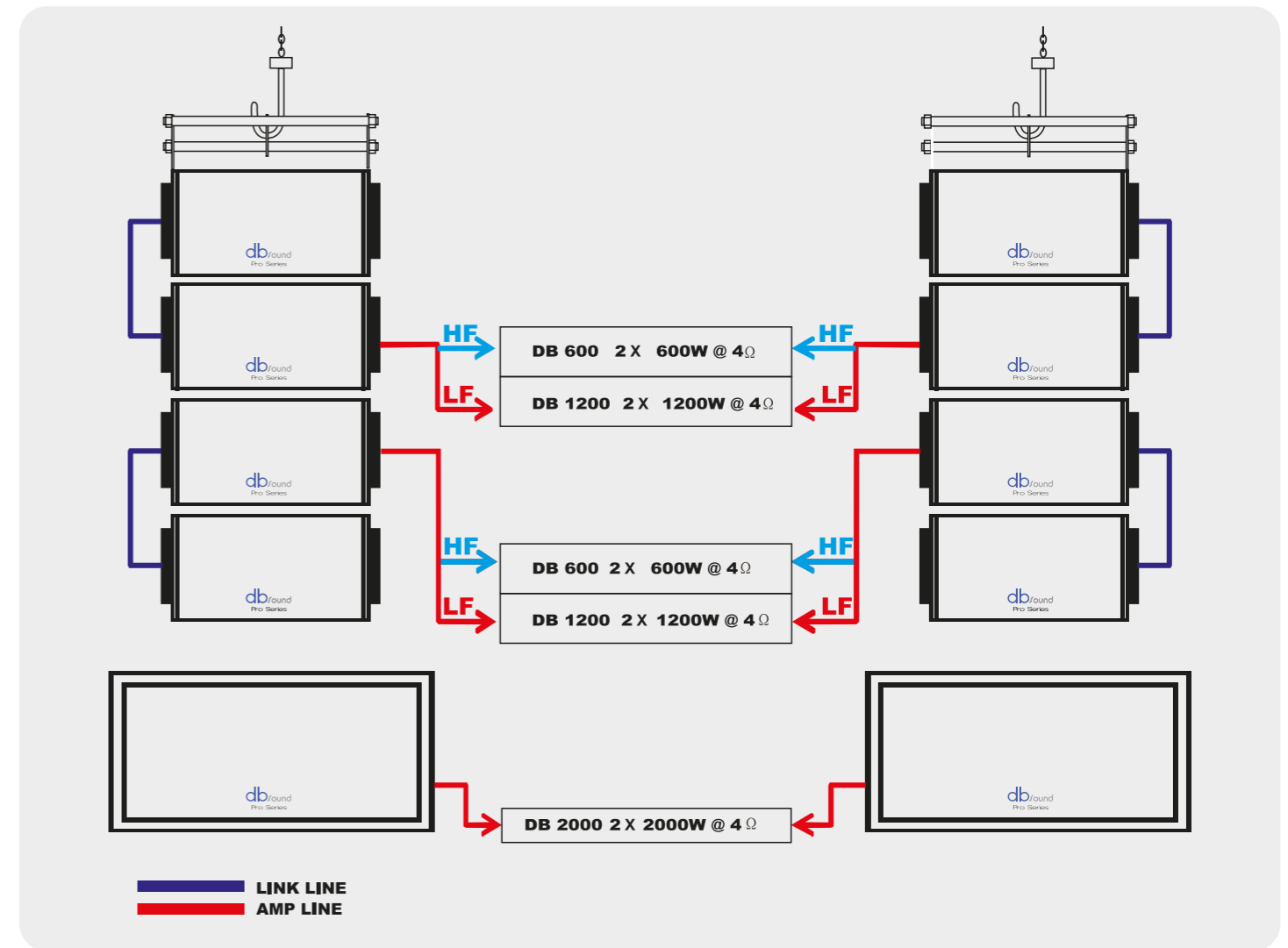
Optional Accessories LA122V Rigging Frame



Back Panel Connections



RECOMMENDED CONFIGURATION



LA122V Coverage Graph :

